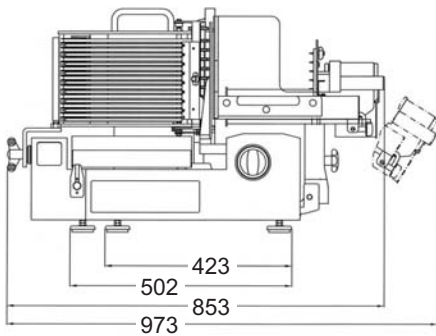
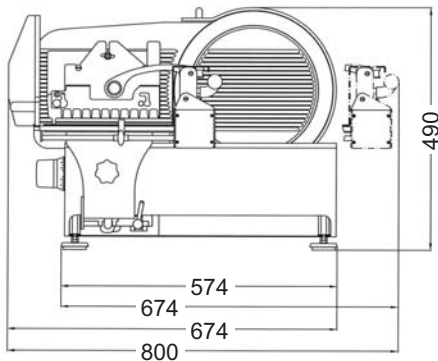


SCHARFEN

Fully automatic food slicer

Model VA 2000

Model VA 2000



Model VA 4000
with 99 programmable PLU
different slicing programmes

Technical Data

counter space required
(l x w): 574 x 502 mm

overall dimensions
(l x w x h): 674 x 853 x 490 mm

weight app. 75 kg

voltage
3-phase or 1-phase, voltage
and cycles as required

power consumption 0,6 kW

sound level <70 dB (A)

blade
300 mm Ø, hollow-ground,
hard chromed,
stay sharp quality

slice thickness
0 - 10 mm (infinitely variable)

cutting length
255 mm

cutting height
180 mm

capacity
speed of carriage is variable,
app. 25 - 55 strokes per minute

precise slicing
because of separate gear motor for
blade rotation. Therefore 98 % power
transmission by direct gear drive.

Model VA 2000 is available in following special executions:

tefloned execution
ideal for slicing cheese. Carriage
thickness plate, blade guard and
blade are tefloned.

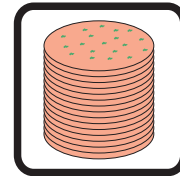
Easy and precise slicing, no
smearing and no sticking.
Incrustations will strictly be
avoided.

Further advantage: quick and easy
to clean with a dry cloth.

All other technical details as above.

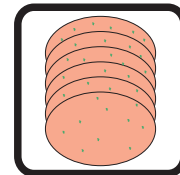
stacking

maximum height of stack 75 mm



shingling

1 - 9 layer automatically,
shingling distance can be pre-set



manual operation

for special slicing procedures the
machine can be manually operated by
simply turning a lever at the carriage.

Security and hygiene

model VA 2000 conforms to legal
security and hygienic requirements.
Sharpening device is removable.
Carriage can be tilted aside for
cleaning. Chain frame, stacking device
and receiving plate are removable.
Machine body and all metal parts in
contact with food are made of
stainless steel.

with **table for slicer** immovable
made of stainless steel
(l x w x h): 740 x 650 x 670 mm

with **table for slicer** movable
made of stainless steel
(l x w x h): 740 x 650 x 670 mm